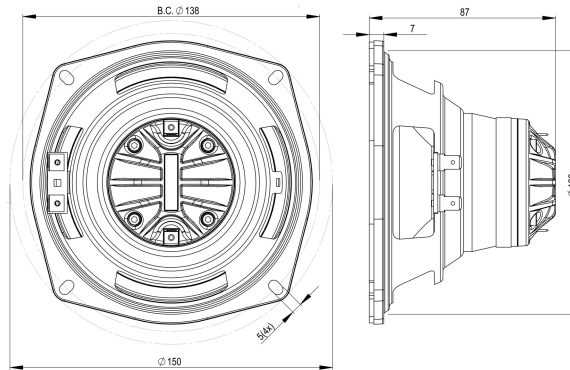


# 5CXN36

**8Ω****Coaxials** - 5.0 Inches

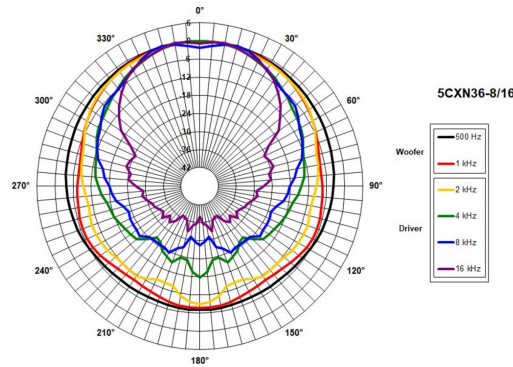
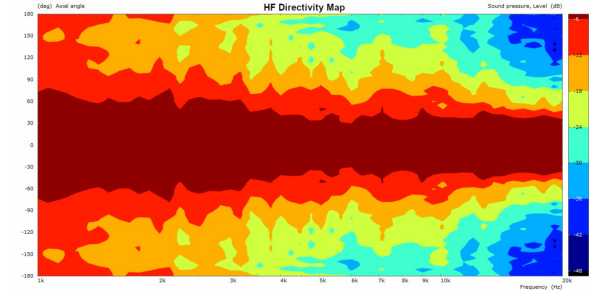
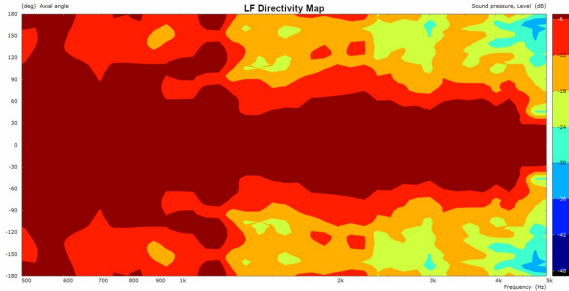
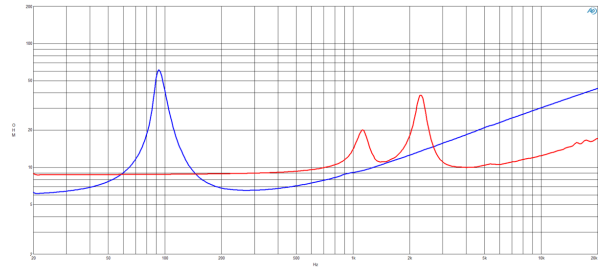
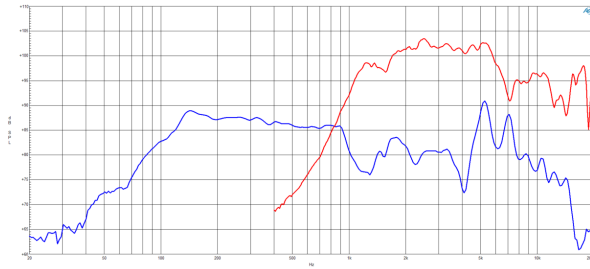
- 200 W continuous program power capacity
- 70° nominal coverage
- 94 - 18000 Hz response
- 89 dB sensitivity
- Aluminium demodulating ring for very low distortion



Unique to B&C, a complete lineup of high sensitivity and power handling 4", 5" and 6.5" frame transducers. These high technology products are made with our famously critical quality control, allowing new compact loudspeaker designs with appropriately scaled performance. Combined with a 1.4" dome compression driver, our 5CXN36 coaxial is one of the most compact and cost effective full range transducers that we have ever built, offering 94 - 18000Hz frequency response and a 70° conical coverage pattern.

# 5CXN36

Coaxials- 5.0 Inches



## SPECIFICATIONS

Nominal Diameter	127 mm (5.0 in)
Nominal Impedance	8 Ω
Minimum Impedance LF	6.5 Ω
Minimum Impedance HF	10.0 Ω
Frequency Range	94 - 18000 Hz
Dispersion Angle <sup>1</sup>	70 °
Woofer Cone Treatment	WP Waterproof Front Side
Magnet Material	Neodymium Ring

## SPECIFICATIONS LF UNIT

Sensitivity <sup>2</sup>	89.0 dB
Nominal Power Handling <sup>3</sup>	100 W
Continuous Power Handling <sup>4</sup>	200 W
Voice Coil Diameter	34 mm (1.3 in)
Winding Material	Copper
Flux Density	0.74 T
Former Material	Glass Fibre
Winding Depth	11.0 mm (0.43 in)
Magnetic Gap Depth	6.0 mm (0.24 in)

## SPECIFICATIONS HF UNIT

Sensitivity <sup>5</sup>	101.0 dB
Nominal Power Handling <sup>6</sup>	25 W
Continuous Power Handling <sup>7</sup>	50 W
Voice Coil Diameter	36 mm (1.4 in)
Winding Material	Aluminium
Flux Density	1.65 T
Diaphragm Material	HT Polymer
Recommended Crossover <sup>8</sup>	2.0 kHz
Inductance	0.14 mH

**PARAMETERS**

Resonance Frequency	95 Hz
Re	5.8 $\Omega$
Qes	0.97
Qms	13.5
Qts	0.9
Vas	4.4 dm <sup>3</sup> (0.16 ft <sup>3</sup> )
Sd	95.0 cm <sup>2</sup> (14.73 in <sup>2</sup> )
$\eta_e$	0.36 %
Xmax	± 4.1 mm
Xvar	± 5.5 mm
Mms	8.3 g
Bl	5.42 Txm
Le	0.89 mH
EBP	97 Hz

**MOUNTING AND SHIPPING INFO**

Overall Diameter	150 mm (5.91 in)
Bolt Circle Diameter	138 mm (5.43 in)
Baffle Cutout Diameter	123 mm (4.84 in)
Depth	87 mm (3.43 in)
Flange and Gasket Thickness	7 mm (0.28 in)
Net Weight	0.62 kg (1.37 lb)
Shipping Units	1
Shipping Weight	1.1 kg (2.43 lb)
Shipping Box	255x255x150 mm (10.04x10.04x5.91 in)

**CROSSOVER**FBCXN36 8 $\Omega$ **SERVICE KIT**

LF recone kit	RCK005CXN368
MF replacement diaphragm	MMDE11016

1. Included by -6 dB down points.
2. Applied RMS Voltage is set to 2.83V.
3. 2 hours test made with continuous pink noise signal within the range Fs-10Fs. Power calculated on rated minimum impedance. Loudspeaker in free air.
4. Power on Continuous Program is defined as 3 dB greater than the Nominal rating.
5. Applied RMS Voltage is set to 4V.
6. 2 hour test made with continuous pink noise signal within the range from the recommended crossover frequency to 20 kHz. Power calculated on rated minimum impedance. Loudspeaker in free air.
7. Power on Continuous Program is defined as 3 dB greater than the Nominal rating.
8. 12 dB/oct. or higher slope high-pass filter.